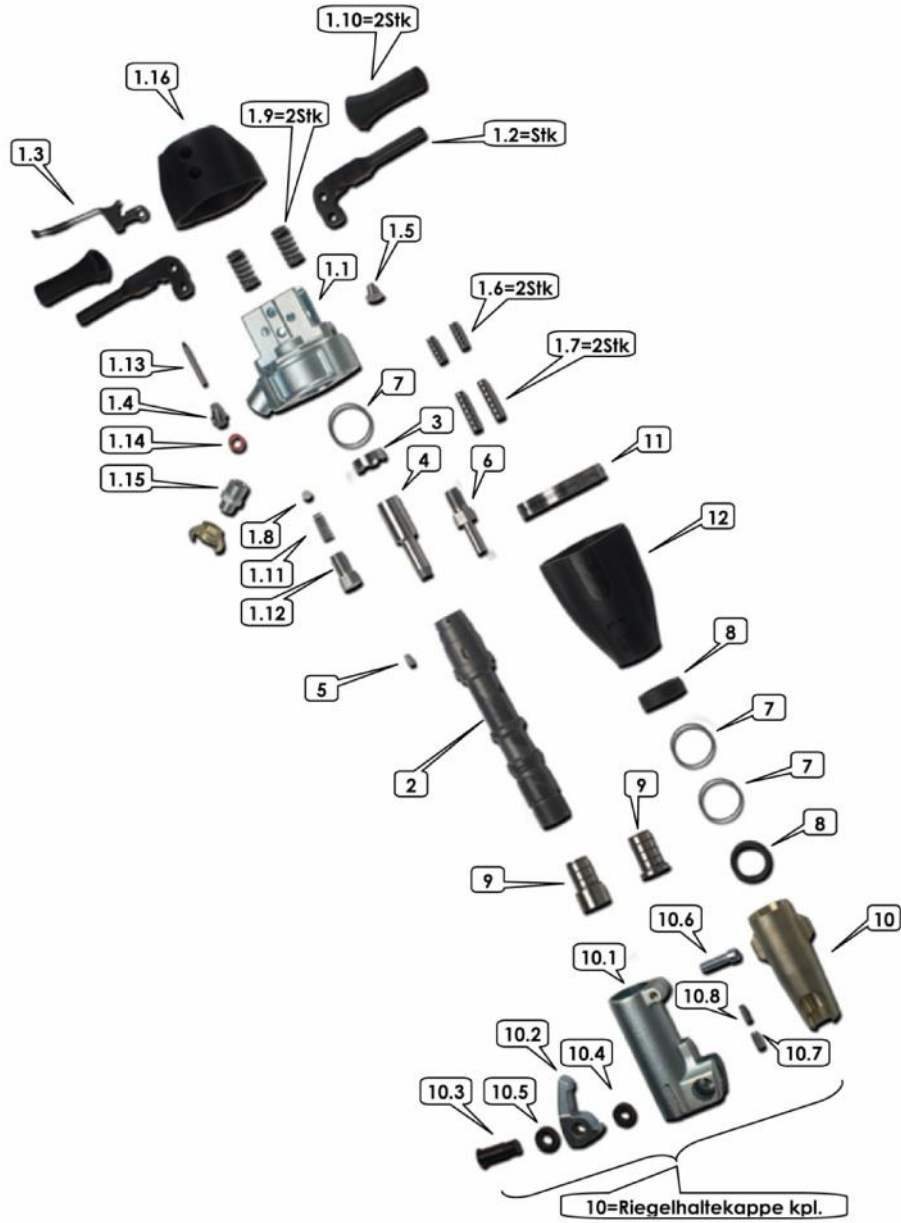


Abbruchhammer Paving breakers

B18E



Abbruchhammer Paving Breakers

B18E

Hämmer

| Type Denomination | Einsteckende Shank Size | Geräte Nr. Part No. | Masse Weight (kg) |
|----------------------|----------------------------|------------------------|----------------------|
| B18E K | S22x82,5 | 735625 | 17,5 |
| B18E K | S26x108 | 735626 | 18,1 |
| B18E R | S22x82,5 | 735627 | 19,8 |
| B18E R | S26x108 | 735628 | 20,1 |

Ersatzteilliste

| Type | Benennung | Denomination | BBG Nr. | Pos. | Stk. |
|--------|----------------------------|-----------------------|---------|------|------|
| B18E | Griffkörper kpl. | Handle body cpl. | 645460 | 1 | 1 |
| B18E | Griffkörper | Handle body | 645455 | 1.1 | 1 |
| B18E | Hebel | Lever | 643846 | 1.2 | 2 |
| B18E | Drücker | Trigger | 642965 | 1.3 | 1 |
| B18E | Bolzen für Ventilstift | Bolt | 643657 | 1.4 | 1 |
| B18E | Bolzen | Bolt | 643658 | 1.5 | 1 |
| B18E | Connex Spannstift | Connex tensioning pin | 643817 | 1.6 | 2 |
| B18E | Connex Spannstift | Connex tensioning pin | 643820 | 1.7 | 2 |
| B18E | V-Kugel | | 700625 | 1.8 | 1 |
| B18E | Dämpfungsfeder | Silenced spring | 642982 | 1.9 | 2 |
| B18E | Griffhülle | Handle casing | 643844 | 1.10 | 2 |
| B18E | Druckfeder | Pressure spring | 767252 | 1.11 | 1 |
| B18E | Schraube | Screw | 645456 | 1.12 | 1 |
| B18E | Ventilstift | Valve pin | 645470 | 1.13 | 1 |
| B18E | Ring | Ring | 644839 | 1.14 | 1 |
| B18E | Siebträger kpl. | Strainer holder cpl. | 701669 | 1.15 | 1 |
| B18E | Griffkörperhülle | Handle body casing | 643645 | 1.16 | 1 |
| B18E | Zylinder | Cylinder | 645464 | 2 | 1 |
| B18E | Steuerring | | 645458 | 3 | 1 |
| B18E | Kolben | Piston | 643005 | 4 | 1 |
| B18E | Stift | Pin | 645463 | 5 | 1 |
| B18E | Schraube | Screw | 645457 | 6 | 1 |
| B18E | O-Ring | O-Ring | 643080 | 7 | 3 |
| B18E | Klemmring (Kreuzschlitzk.) | Ring (Retainer cap) | 645025 | 8 | 1 |
| B18E | Distanzring | Ring | 643015 | 8 | 1 |
| B18E | Meißelbüchse S22x82,5 | Chisel bush S22x82,5 | 643031 | 9 | 1 |
| B18E | Meißelbüchse S26x108 | Chisel bush S26x108 | 645409 | 9 | 1 |
| B18E K | Kreuzschlitzhaltekappe S22 | Retainer cap S22 | 645023 | 10 | 1 |



Abbruchhammer Paving Breakers

B18E

| Type | Benennung | Denomination | BBG Nr. | Pos. | Stk. |
|--------|----------------------------|--------------------------|---------|------|------|
| B18E K | Kreuzschlitzhaltekappe S26 | Retainer cap S26 | 645024 | 10 | 1 |
| B18E R | Riegelhaltekappe kpl. S22 | Retainer cap cpl. S22 | 644332 | 10 | 1 |
| B18E R | Riegelhaltekappe S22 | Retainer cap S22 | 644039 | 10.1 | 1 |
| B18E R | Riegelhaltekappe kpl. S26 | Retainer cap cpl. S26 | 643133 | 10 | 1 |
| B18E R | Riegelhaltekappe S26 | Retainer cap S26 | 642997 | 10.1 | 1 |
| B18E R | Riegel | Latch | 642999 | 10.2 | 1 |
| B18E R | Bolzen | Bolt | 643000 | 10.3 | 1 |
| B18E R | Dämpfungsring klein | Ring small | 643001 | 10.4 | 1 |
| B18E R | Dämpfungsring groß | Ring large | 643002 | 10.5 | 1 |
| B18E R | Zylinderschraube verzinkt | Cylinder Screw | 643082 | 10.6 | 1 |
| B18E R | Druckbolzen | Pressure bolt | 751606 | 10.7 | 1 |
| B18E R | Zyl. Druckfeder | Cylinder pressure spring | 761334 | 10.8 | 1 |
| B18E | Flansch | Flange | 645459 | 11 | 1 |
| B18E | Schalldämpfer Mantel | Silencer coat | 642994 | 12 | 1 |

